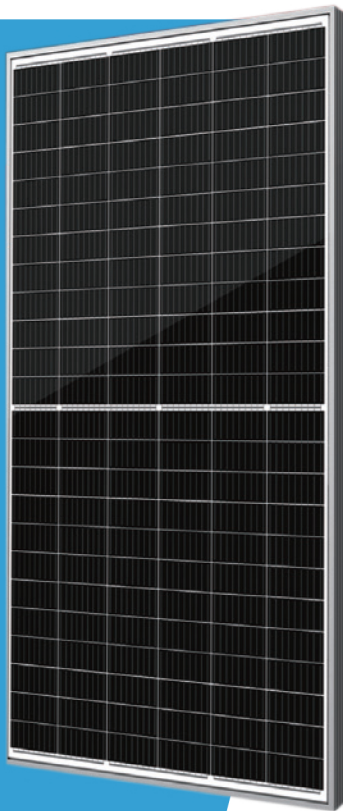


Module HC 144M

450-460 Watt

Positive power tolerance of 0~+3%



KEY FEATURES



Multi Busbar Solar Cell

Multi busbar solar cell adopts new technology to improve the efficiency of modules, offers a better aesthetic appearance, making it perfect for rooftop installation.



High Efficiency

Higher module conversion efficiency (up to 20.38%) benefit from half cell structure (low resistance characteristic).



PID Resistance

Excellent Anti-PID performance guarantee limited power degradation for mass production.



Low-light Performance

Advanced glass and cell surface textured design ensure excellent performance in low-light environment.



Severe Weather Resilience

Certified to withstand: wind load (2400 Pascal) and snow load (5400 Pascal).

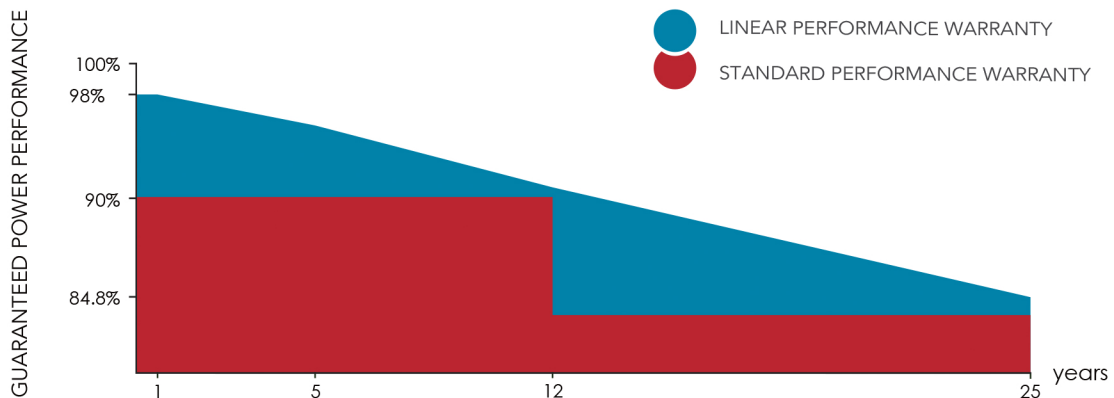


Durability Against Extreme Environmental Conditions

High salt mist and ammonia resistance.

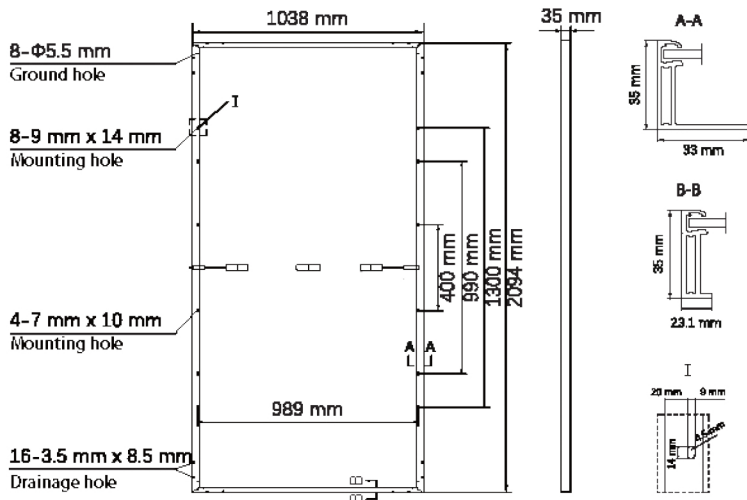
LINEAR PERFORMANCE WARRANTY

12 Year Product Warranty 25 Year Linear Power Warranty



ISO9001:2015 certified factory

UL61703 certified product



PACKAGING CONFIGURATION

(Two pallets = One stack)

31pcs/pallet, 62pcs/stack, 775pcs/53FT Truck

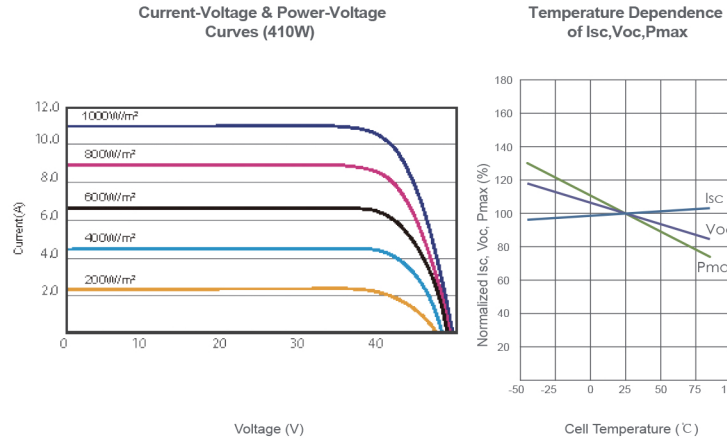
SPECIFICATIONS

Module Type	SE-166*83-450M-144	SE-166*83-455M-144	SE-166*83-460M-144
	STC	STC	STC
Maximum Power (Pmax)	450W	455W	460W
Maximum Power Voltage (Vmp)	41.32	41.51	41.7
Maximum Power Current (Imp)	10.89	10.96	11.03
Open-circuit Voltage (Voc)	49.05	49.35	49.62
Short-circuit Current (Isc)	11.37	11.44	11.51
Module Efficiency STC (%)	20.7%	20.9%	21.2%
Operating Temperature (°C)		-40 °C ~+85°C	
Maximum System Voltage		1500VDC (IEC)	
Maximum Series Fuse Rating		20A	
Power Tolerance		0~+3%	
Temperature Coefficients of Pmax		-0.35%/°C	
Temperature Coefficients of Voc		-0.29%/°C	
Temperature Coefficients of Isc		0.048%/°C	
Nominal Operating Cell Temperature (NOCT)		45±2°C	

STC: Irradiance 1000W/m² Cell Temperature 25°C AM=1.5

NOCT: Irradiance 800W/m² Ambient Temperature 20°C AM=1.5 Wind Speed 1m/s

*Power measurement tolerance: ± 3%



MECHANICAL CHARACTERISTICS

Cell Type	Mono PERC 166×83mm
No. of Half-cells	144 (6×24)
Dimensions	2094x1038x35mm (82.44x40.86x1.37 inch)
Weight	23.0 kg (51.8 lbs)
Front Glass	3.2mm, Anti-Reflection Coating, High Transmission, Low Iron, Tempered Glass
Frame	Anodized Aluminium Alloy
Junction Box	IP68 Rated, connector compatible with MC4
Output Cables	TÜV 1x4.0mm 450/1200mm or Customized Length
Fire rating	UL: Type 1, IEC: Class C
Maximum static load	5400Pa (front side), 2400Pa (back side)