

MANAGER30 BATTERY MANAGEMENT SYSTEMS.



THE POWER OF
REDARC

POWERS EVERYTHING. STOPS AT NOTHING.

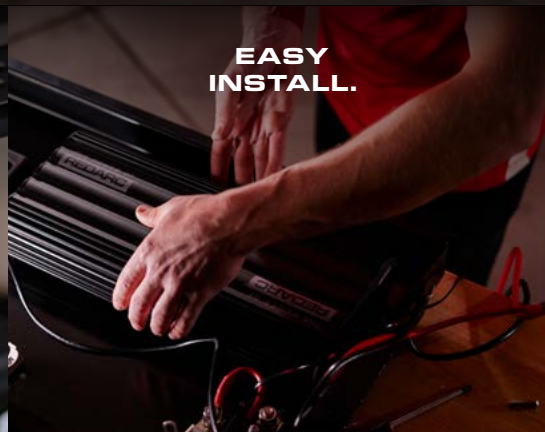
REDARCELECTRONICS.COM/BMS



**COMPLETE BATTERY
MANAGEMENT.**



**EASY
INSTALL.**



**BLUETOOTH
CONNECTIVITY.**



MANAGER30 BATTERY MANAGEMENT SYSTEMS.

The REDARC Manager30 is a state-of-the-art battery management system designed to charge and maintain auxiliary batteries by incorporating AC, DC and solar inputs. It is ideal for RVs, overlanding vehicles and camper trailers with battery banks.

Whether you're using lead acid, gel, calcium, AGM or lithium iron phosphate (LiFePO₄) batteries, the Manager30 represents a complete battery charging and maintenance solution.

If you're charging one auxiliary battery or more, The Manager30 will ensure they're always fully charged, providing peace of mind when using the comforts of home while travelling.

STAY IN CHARGE WITH THE MANAGER30 FROM REDARC.

The Manager30 is a complete battery management system, charging auxiliary batteries used in automotive applications by incorporating AC, DC and solar inputs to achieve the best charge.

Developed with ease of installation in mind, The Manager30 is compatible with all vehicles and alternator systems including variable voltage alternators, features load sharing capabilities and green power priority

POWERFUL OUTPUT.

The Manager30 has a 30 amp current output and is able to handle more power intensive loads and maintain larger battery banks. It can also charge all common automotive batteries including lithium (LiFePO₄).

GREEN POWER PRIORITY.

If 12 volt solar power is available, solar power will be used before topping up the output charging current from another source such as mains power or DC vehicle power when you're on the move.

MPPT SOLAR REGULATOR.

The built-in Maximum Power Point Tracking (MPPT) solar regulator allows The Manager30 to deliver the maximum amount of power from your solar panels, even during low light conditions.

MULTI-STAGE CHARGING PROCESS.

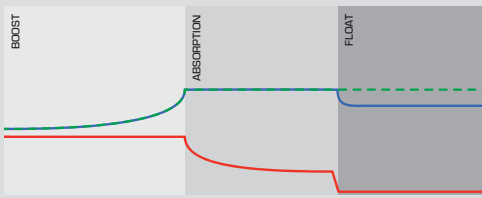
Two different multi-stage DC-DC charging profiles fully charge auxiliary batteries. Sophisticated fault detection sensors monitor the battery conditions during all stages of charging, keeping you and your caravan/camper safe.

Touring mode -

designed for use when 'on the road'.

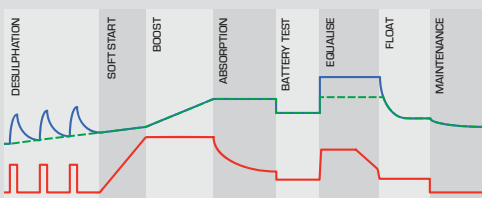
It offers a three stage* charging profile consisting of boost, absorption and float.

Touring mode will charge your auxiliary battery to its optimal level whilst allowing you to run loads from the battery.



Storage mode -

designed to keep your auxiliary battery charged whilst your RV/camper is in storage by using an eight stage* charging profile.



VOLTAGE - SLA VOLTAGE - LITHIUM CURRENT

* Depending on the battery type some stages are omitted from the profile.

REMOTE BATTERY MONITOR OPTIONS.

The Manager30 comes with a choice of displays designed to give you house battery information and charge status along with critical system information while charging is in progress.

Whichever display you choose this 30 amp battery management system gives you the best of both worlds.

BMS1230S3-NA WITH STANDARD DISPLAY.

The BMS1230S3-NA is supplied with the standard monochrome remote monitor which provides information such as state of charge, current, voltage and temperature as well as a simplified battery percentage and charge rate.

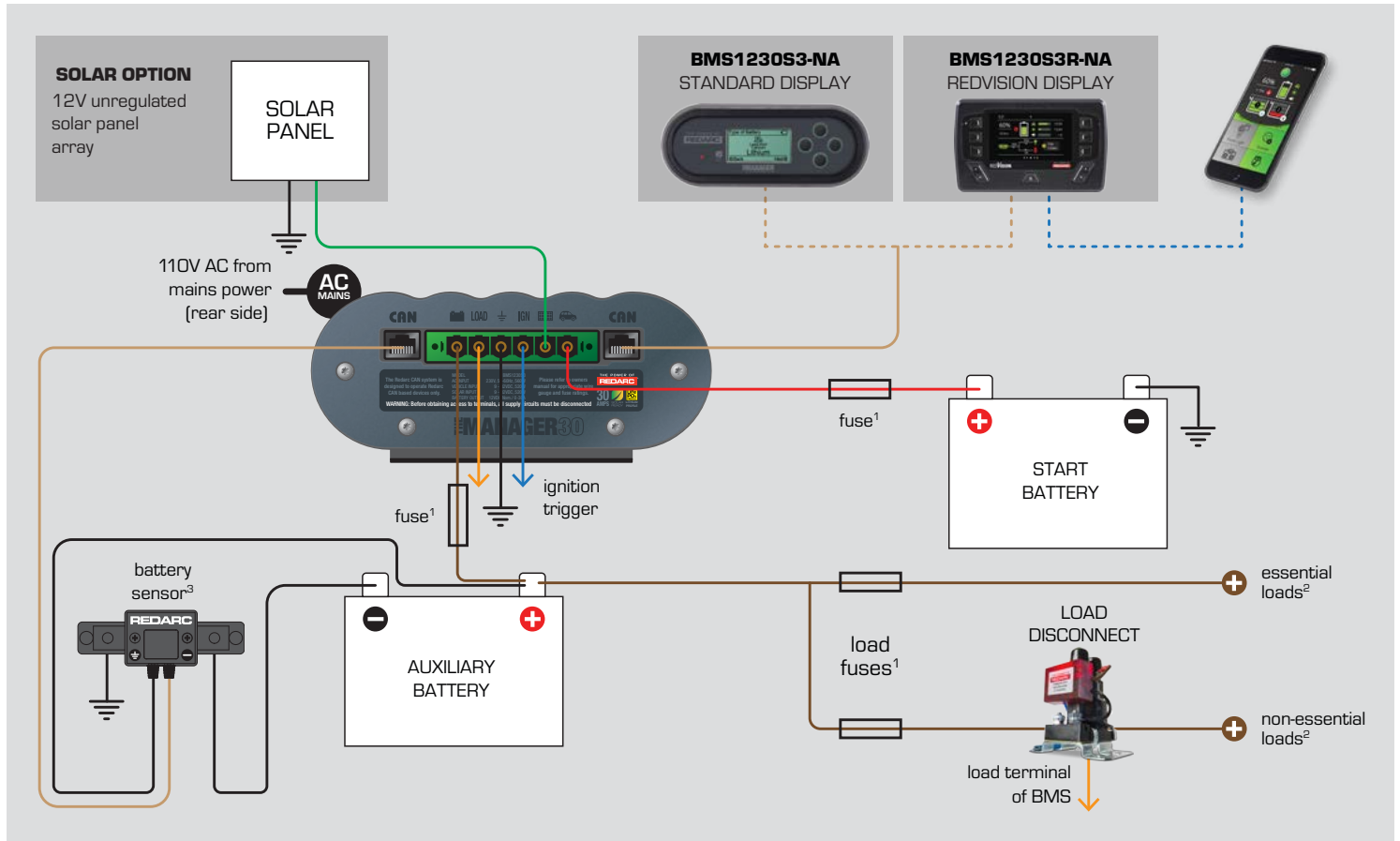


BMS1230S3R-NA WITH REDVISION DISPLAY.

The BMS1230S3R-NA is supplied with the RedVision Display and provides connectivity of the Manager30 to the RedVision Smartphone app, allowing monitoring of the battery state of charge from your mobile device.



THE MANAGER STANDARD INSTALLATION (12 OR 24 VOLT).



- 1 Fuses are not supplied. The size of these load fuses relate to the total current draw of all loads connected to the house battery and should be rated slightly higher than this.
- 2 Essential loads are loads which must be left on at all times (or until the battery is flat). Non-essential loads are those which can be switched off when the battery reaches a particular low-charge level, which can be set in the 'advanced settings' menu.
- 3 Either CANBus connection can be used for the display or battery sensor.
- † Voltages stated are nominal and may vary slightly from that specified. Contact REDARC if further information is required.
- ‡ The Manager30 will only charge the battery when the battery temperature is between -25°C and +60°C for standard lead acid, AGM and calcium batteries that are above 10.5 volts and between 0°C and +60°C in all other circumstances.

	BMS1230S3-NA		BMS1230S3R-NA	
Output current	30A		30A	
Charging mode	Storage	Touring	Storage	Touring
Lithium (max) †	14.5V	14.5V	14.5V	14.5V
GEL (max) †	14.4V	14.4V	14.4V	14.4V
AGM (max) †	14.4V	14.4V	14.4V	14.4V
Calcium †	16.0V	15.2V	16.0V	15.2V
Lead acid †	15.5V	14.8V	15.5V	14.8V
Operating temperature	-40° ~ 176° F (-40° ~ 80° C)		-40° ~ 176° F (-40° ~ 80° C)	
Main unit dimensions (H x W x L)	17.5" x 7.3" x 3.1" (445 x 185 x 79mm)		17.5" x 7.3" x 3.1" (445 x 185 x 79mm)	
Display unit dimensions (H x W x D)	7.3" x 2.9" x 1.1" (186 x 74 x 29mm)		7.0" x 4.2" x 1.0" (178 x 107.5 x 25.5mm)	
Weight	12.1lb (5.5kg)		11.5lb (5.2kg)	
EMC compliance	FCC, CAN ICES-3 (B)/NMB-3(B)		FCC, CAN ICES-3 (B)/NMB-3(B)	
Safety compliance	UL Listing (Canada and USA)		UL Listing (Canada and USA)	
Environmental compliance	RoHs		RoHs	
Warranty	Two years		Two years	

THE POWER OF

REDARC®

REDARCELECTRONICS.COM

For free product support contact REDARC Tech Support on the numbers below or send an email to power@redarcelectronics.com. A complete list of distributors can be found at redarcelectronics.com/distributors.

Local calling numbers

USA +1 (704) 247-5150
Canada +1 (604) 260 5512
Mexico +52 (558) 526 2898

International head office

23 Brodie Road North, Lonsdale
South Australia, Australia 5160
Email power@redarcelectronics.com

8am to 5.30pm Australian Central Standard Time Monday to Friday