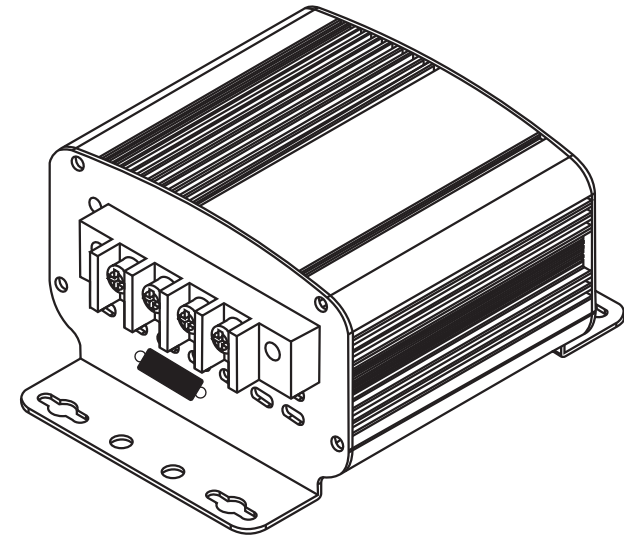


AIMS Power Warranty Instructions:

This product is designed using the most modern digital technology and under very strict quality control and testing guide lines.



DC TO DC CONVERTER



USER MANUAL

MODEL NO.: CON5A2412
CON10A2412
CON15A2412
CON20A2412
CON30A2412
CON40A2412
CON60A2412

EN 61000 listed



DC 24V BATTERY

Wire Connection Specifications								
		5A	10A	15A	20A	30A	40A	60A
Cable size	Input	>18AWG	>18AWG	>18AWG	>16AWG	>14AWG	>12AWG	>8AWG
	Output	>18AWG	>16AWG	>16AWG	>14AWG	>12AWG	>10AWG	>6AWG
Cable length limit		< 1m or 3 feet						
Terminal type		2-3.7	2-3.7	2-3.7	3-3.7	5-3.7	5-3.7	5-4



USER'S MANUAL

Specification							
MODEL NO.	5A	10A	15A	20A	30A	40A	60A
DC Input Voltage	DC 20~37V						
DC Output Voltage	DC 12.5~13.5V						
Output Current (Continuous @ 25°C or 77°F)	5A	10A	15A	20A	30A	40A	60A
Output Current (Max.)	6A	12A	18A	24A	36A	48A	72A
Isolation (Primary to Secondary)	NA						
Heat Dissipated	Metal Case	Metal Case and Fan					
DC Input terminal	Terminal						
DC Output terminal	Terminal						
Status LED	Yes	Yes	Yes	Yes	Yes	Yes	Yes
Conversion Efficiency	>92%	>91%	>90%	>91%	>90%	>90%	>90%
DC Input Low Battery Shutdown	18 ± 1V						
DC Input High Battery Shutdown	>38V						
DC Input Polarity Protection	Fuse						
DC Input Over Current Protection(FUSE)	3A	7.5A	10A	15A	20A	30A	40A
Overtemp Protection	65 ± 5°C or 150 ± 5°F						
DC Output Short Protection	Yes						
DC Output Over Current Protection(above)	6A	12A	18A	24A	36A	48A	72A
DC Output Over Voltage Protection	TVS Diode						
Dimensions (L x W x H)	3.62"x3.39"x2.2" or 9.2x8.6x5.6cm	4.41"x3.39"x2.2" or 11.2x8.6x5.9cm	5.91"x3.39"x2.2"			7.17"x3.39"x2.2"	
Net Weight	260g / .57Lbs	320g / .71Lbs	412g / .91Lbs	441g / .97Lbs	452g / 1Lbs	463g / 1Lbs	610g / 1.3176lbs

INSTRUCTIONS:

- 1) Unpack converter and ensure there is no visible damage
- 2) Make sure you received the proper unit and that the specs meet your requirements (enough capacity for your load)
- 3) Find a dry and suitable location to mount the converter and ensure you have enough space to mount the wires needed
- 4) Cut and lug the appropriate AWG wires for your converter and connect to dc inputs and outputs per diagram. Your battery source must be 24Vdc and your load 12Vdc
- 5) Mount converter
- 6) Connect load to converter and turn load off
- 7) Connect the - (negative / black) to the battery source and then your + (positive / red)
- 8) Final step is to turn on your load and make sure it is working properly

Installation And Operation

Installation requirements

DO not expose the converter to rain, snow, spray, bilge or dust. To reduce risk of hazard, do not cover or obstruct the ventilation openings.

Input and output connection

