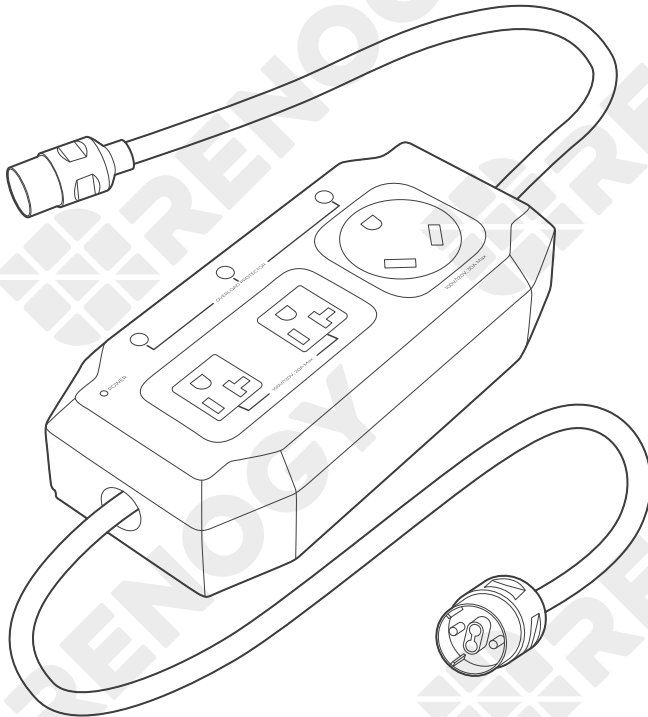


RENOGY

Single Phase Parallel Kit | 30A

RSA30SGPK

VERSION A1



USER MANUAL

Before Getting Started

The user manual provides important operation and maintenance instructions for RENOGY 30A Single Phase Parallel Kit (hereinafter referred to as Parallel kit).

Read the user manual carefully before operation and save it for future reference. Failure to observe the instructions or precautions in the user manual can result in electrical shock, serious injuries, or death, or can damage the parallel kit, potentially rendering it inoperable.

- Renogy ensures the accuracy, sufficiency, and the applicability of information in the user manual at the time of printing due to continual product improvements that may occur.
- Renogy assumes no responsibility or liability for personal and property losses, whether directly and indirectly, caused by the user's failure to install and use the product in compliance with the user manual.
- Renogy is not responsible or liable for failures, damages, or injuries resulting from repair attempted by unqualified personnel, improper installation and operation.
- The illustrations in the user manual are for demonstration purposes only. Details may appear slightly different depending on product revision and market region.
- Renogy reserves the right to change the information in the user manual without notice. For the latest user manual, visit [renogy.com](https://www.renogy.com).

Disclaimer

RENOGY 30A Single Phase Parallel Kit User Manual © 2022 Renogy. All rights reserved.

RENOGY and **RENOGY** are registered trademarks of Renogy.

- All information in the user manual is subject to copyright and other intellectual property rights of Renogy and its licensors. The user manual may not be modified, reproduced, or copied, in whole or in part, without the prior written permissions of Renogy and its licensors.
- The registered trademarks in the user manual are the property of Renogy. The unauthorized use of the trademarks is strictly prohibited.

Online Manual



User Manual



DC Home App



DC Home App



Table of Contents

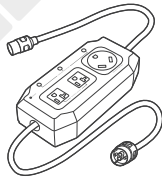
Symbols Used	1
What's In the Box?	1
Get to Know RENOGY 30A Single Phase Parallel Kit	1
Environmental Conditions	2
How to Connect Portable Power Stations in Parallel	2
Overcurrent Protection	2
Troubleshooting	3
Specifications	3
General	3
Electrical	3
Important Safety Instructions	4
General Safety Information	4
Parallel Kit Safety	4
Renogy Support	4
Warranty	4

Symbols Used

The following symbols are used throughout the user manual to highlight important information.

- WARNING:** Indicates a potentially dangerous condition which could result in injury or death.
- CAUTION:** Indicates a critical procedure for safe and proper installation and operation.
- NOTE:** Indicates an important step or tip for optimal performance.

What's In the Box?



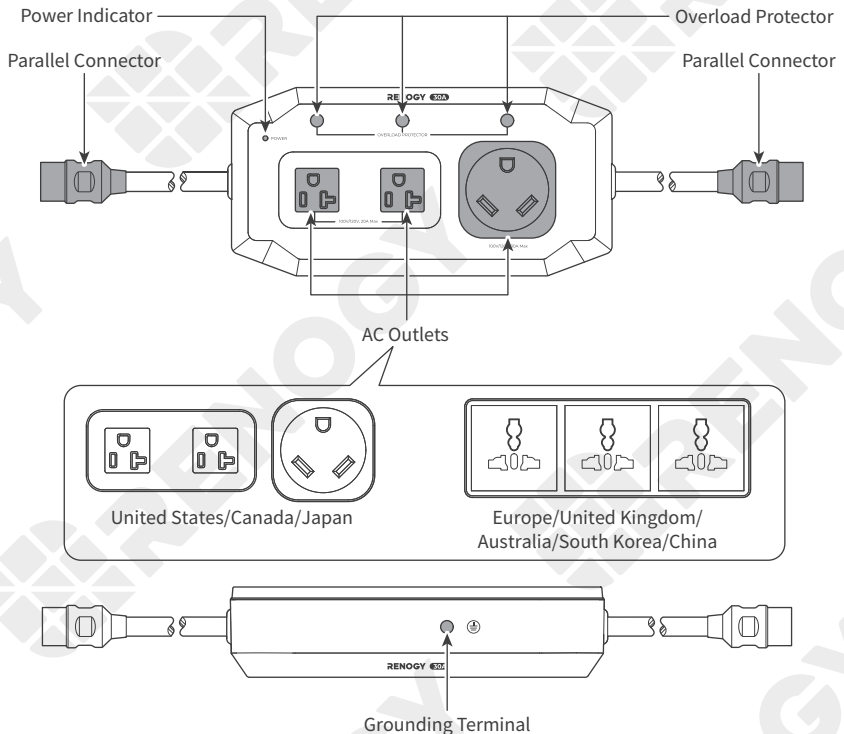
RENOGY 30A Single Phase Parallel Kit × 1



User Manual × 1

- Make sure that all accessories are complete and free of any signs of damage.

Get to Know RENOGY 30A Single Phase Parallel Kit

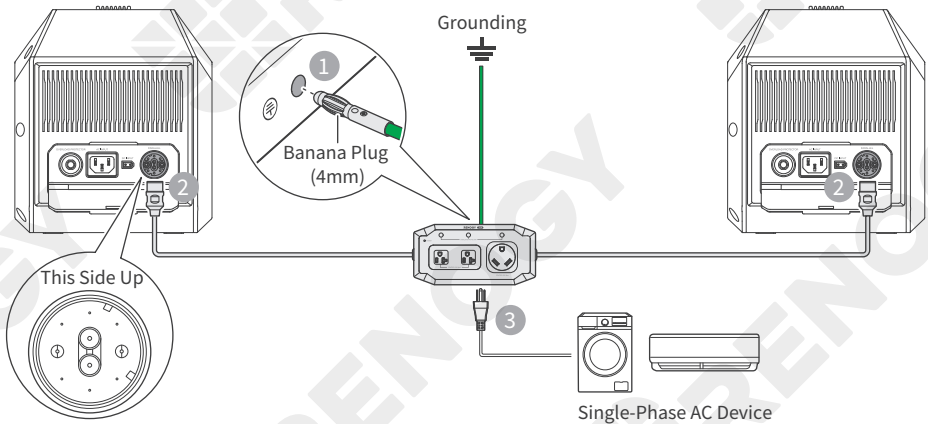


Environmental Conditions



Ambient Temperature: -4°F~104°F / -20°C~40°C

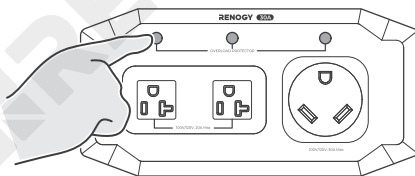
How to Connect Portable Power Stations in Parallel



- ⚠ Please inspect the parallel kit before each use. Stop using the parallel kit if any visible damages including cracks, dents, and deformation or abnormalities including unusual smells and heating are observed.
- ⚠ The total output power of the parallel kit is determined by the AC output rating of the portable power stations connected to it. Please read the user manual of portable power stations before the parallel connection. Do not overload portable power stations.
- ⚠ Please ensure that both portable power stations are of the same models.
- ⚠ Please ensure that the AC outlets of both portable power stations have the same output voltage and output frequency.

Overcurrent Protection

The parallel kit is integrated with the Overload Protector. When the parallel kit is overloaded, the Overload Protector will pop up automatically and stop the output current to protect the connected loads. In such case, disconnect all the loads, and then press down the Overload Protector to reset it. Contact us for help if the Overload Protector pops up again: renogy.com/contact-us.



- NEMA 5-20R: 20A
- TT-30R: 30A
- Universal Outlet: 16A

- i Please check the current ratings of the devices before the connection. Do not exceed the current ratings of the AC outlets.

Troubleshooting

If the parallel kit does not operate properly, refer to the table below for possible causes and corrective steps. If the corrective steps do not work, contact our customer service through renogy.com/contact-us/.

Phenomenon	Possible Causes	Corrective Steps
Power Indicator Not Lighting Up	Single Phase Parallel Failure	<ul style="list-style-type: none"> ● Check if both portable power stations are turned on. ● Check if the AC outlets of both portable power stations are turned on. ● Check if the parallel connections are solid. ● Disconnect the parallel kit from both portable power stations. ● Check the models of both portable power stations. Stop connecting both portable power stations in parallel if they are of different models. ● Check the output voltage of the AC outlets of both portable power stations. Stop connecting both portable power stations in parallel if their AC outlets have different output voltages. ● Set the AC outlets of both portable power stations to the same output frequency. ● Fully charge the portable power stations. ● Reconnect the portable power stations in parallel with the parallel kit.
Ground Fault Error On Device	Floating Ground	<ul style="list-style-type: none"> ● Disconnect the devices from the AC outlets. ● Plug a neutral ground bonding plug into one of the AC Outlets. ● Connect the devices to the unused AC outlets. Power can be resumed.

Specifications

General

Dimensions	9.29 x 4.61 x 2.24 inch / 236 x 117 x 57 mm (US / CA / JP) 8.35 x 4.61 x 2.24 inch / 212 x 117 x 57 mm (EU / UK / AU / KR / CN) (Parallel Cables and Parallel Connectors Excluded)
Weight	1.96 lbs. / 0.89 kg (US / CA / JP) 2.09 lbs. / 0.95 kg (EU / UK / AU / KR / CN)
Operating Temperature	-4°F~104°F / -20°C~40°C
Parallel Cable Length	3.28 ft / 1.0 m

Electrical

Input/Output Voltage	100V (JP) / 120V (US & CA) / 220V~240V (EU, UK, AU, KR & CN)
Maximum Input/Output Power	6000W (JP) / 7200W (US & CA) / 11040W (EU, UK, AU, KR & CN)
AC Outlet Current Rating	20A (NEMA 5-20R) / 30A (TT-30R) / 16A (Universal Outlet)

Important Safety Instructions

General Safety Information

- Keep the parallel kit out of the reach of young children.
- Do not dispose of the parallel kit as household waste. Comply with local, state, and federal laws and regulations and use recycling channels as required.
- In the event of fire, use fire extinguishers suitable for electrical equipment. Acceptable fire extinguishers include an FM-200 or CO₂ fire extinguisher.
- Do not expose the parallel kit to flammable or harsh chemicals or vapors.
- Do not expose the parallel kit to strong electrostatic fields, strong magnetic fields, or radiation.

Parallel Kit Safety

- Do not puncture, drop, crush, penetrate, shake, strike, or step on the parallel kit.
- Do not open, dismantle, repair, tamper with, or modify the parallel kit.
- Do not insert foreign objects into the parallel kit.
- Please remove all connections before cleaning the parallel kit.

Renogy Support

To discuss inaccuracies or omissions in this quick guide or user manual, visit or contact us at:

 | renogy.com/support/downloads



→ contentservice@renogy.com

For technical questions about your product in the U.S., contact the Renogy technical support team through:

 | renogy.com/contact-us



1(909)2877111

For technical support outside the U.S., visit the local website below:

Canada |  | ca.renogy.com

United Kingdom |  | uk.renogy.com

Australia |  | au.renogy.com

France |  | fr.renogy.com

Spain |  | es.renogy.com

Italy |  | it.renogy.com

China |  | www.renogy.cn

U.S. |  | www.renogy.com

Japan |  | renogy.jp

Germany |  | de.renogy.com

South Korea |  | kr.renogy.com

Other Europe |  | eu.renogy.com

Warranty

Check out the warranty policies for the product from your local Renogy website. For customers in the U.S., register your product and get your e-warranty at <https://renogy.force.com/helpcenter/s/warrantyregister>.



Renogy Empowered

Renogy aims to empower people around the world through education and distribution of DIY-friendly renewable energy solutions.

We intend to be a driving force for sustainable living and energy independence.

In support of this effort, our range of solar products makes it possible for you to minimize your carbon footprint by reducing the need for grid power.



Live Sustainably with Renogy

Did you know? In a given month, a 1KW solar energy system will...



Save 170 pounds of coal from being burned



Save 300 pounds of CO₂ from being released into the atmosphere



Save 105 gallons of water from being consumed



Renogy Power PLUS

Renogy Power Plus allows you to stay in the loop with upcoming solar energy innovations, share your experiences with your solar energy journey, and connect with like-minded people who are changing the world in the Renogy Power Plus community.

Renogy reserves the right to change the contents of this manual without notice.



eVatmaster Consulting GmbH
Battmistr. 30
66325 Frankfurt am Main, Germany
contact@evatmaster.com



EVATOST CONSULTING LTD
Suite 11, First Floor, Moy Road Business
Centre, Talfis Well, Cardiff, Wales, CF15 7QR
contact@evatmaster.com