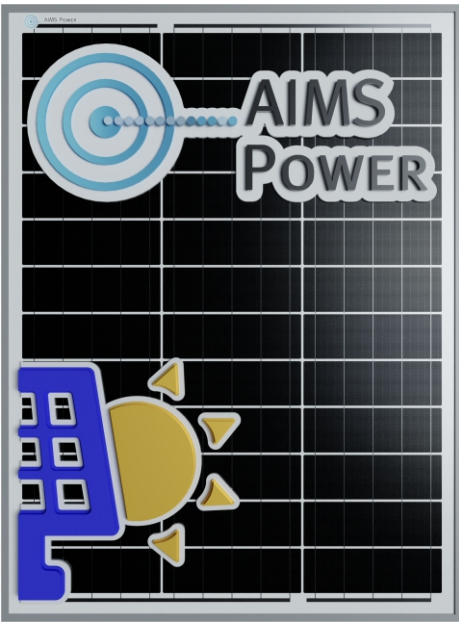
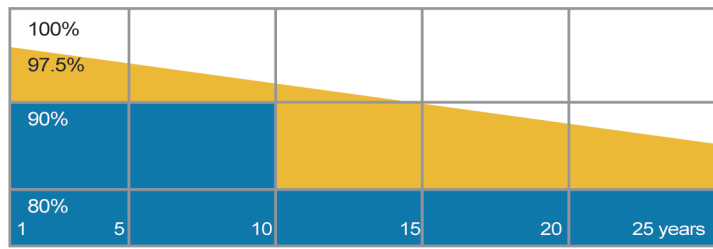
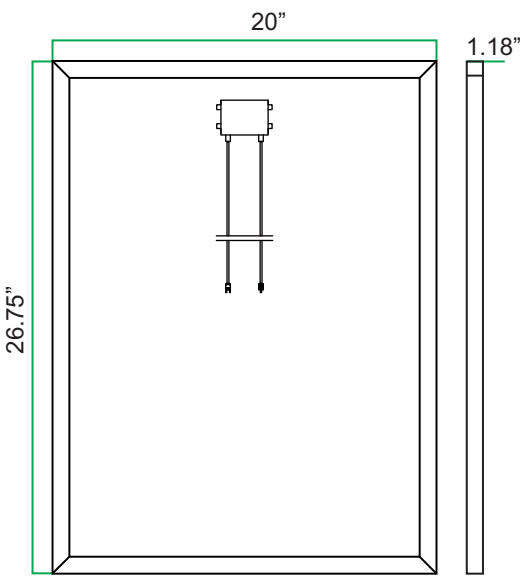


Monocrystalline Solar PV Module

36 Cells, 50W



- +3W** Power and tolerance
0~+3W positive power tolerance guaranteed
- Anti PID** Resistance to the PID
- 6000/3600** Stronger surface resistance to mechanical loads
Passed the certification of 6000Pa snow load and 3600Pa wind load
- ☀️** Designed for harsh environments
- 🌨️** Hail
Passed a hail test with a diameter of 45mm and a speed of 30.7m/s
- 🌡️** Lower temperature coefficient
Better temperature coefficient allows for power attenuation at high temperature



- 12** 12 years of product material and process quality
- 25** 25 years linear power output warranty



MODEL	PV50MONO
Maximum Power/Pmax(Wp)	50
Optimum Operating Voltage/Vmp(V)	18
Optimum Operating Current/Imp(A)	2.78
Open Circuit Voltage/Voc(V)	21.6
Short Circuit Current/IsC(A)	2.99
Cell Efficiency	17.12%
Module Efficiency	14.42%
Power Tolerance	0~+3W
Maximum Series Fuse Rating(A)	15A
Maximum System Voltage	1000VDC

DATA

Operating Module Temperature	-40°C to +80°C	°C
Storage Temperature	From -40°C to +80°C	°C
Insulation Cut Voltage	1000	DC
Maximum Wind Resistance	60m/s	N/m ² or max KM/h
Surface Maximum Load Capacity	200	Kg/m ²
Maximum Hail Load Capacity	5mm	80km/h

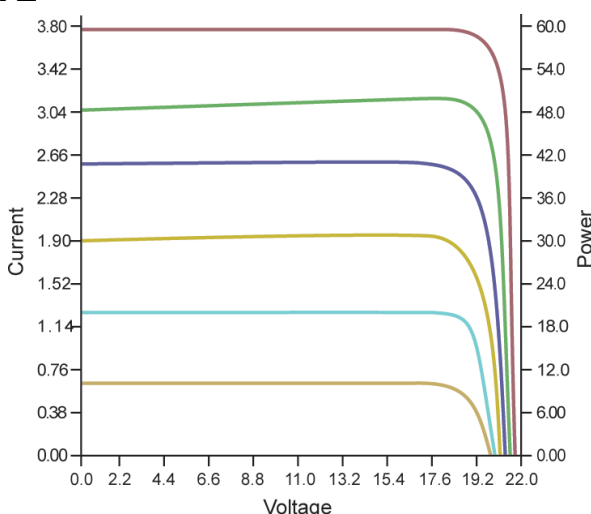
MECHANICAL CHARACTERISTICS

TEMPERATURE CHARACTERISTICS

Number of cells	36(12*3)
Cell Dimension(mm)	156*52
Dimension(inch)	26.75 x 20 x 1.18
Weight(lb)	8.8
Frame Material	Clear anodized aluminum frame
Thickness of Glass	3.2mm tempered glass
Frame	Anodized aluminum alloy
Laminating Material	EVA (Light transmittance more than 92%)
Backsheet Material	TPT (High weather resistance)
Junction Box	Ip65 (1500V system voltage available)
Output cable	90cm 2x4.0mm ² MC4 connector
Bus Bar	5BB

Nominal Operating Cell Temperature (NOTC)	45±2°C
Temperature Coefficient of Pmax	-0.37%/°C
Temperature Coefficient of Voc	-0.29%/°C
Temperature Coefficient of Isc	-0.048%/°C

I-V CURVE



- Sun:1200, Vmp:17.484, Pmax 59.849
- Sun:1000, Vmp:18.000, Pmax:50.112
- Sun:800, Vmp:17.809, Pmax:41.147
- Sun:600, Vmp:17.725, Pmax:30.638
- Sun:400, Vmp:17.617, Pmax:20.140
- Sun:200, Vmp:16.867, Pmax:10.103